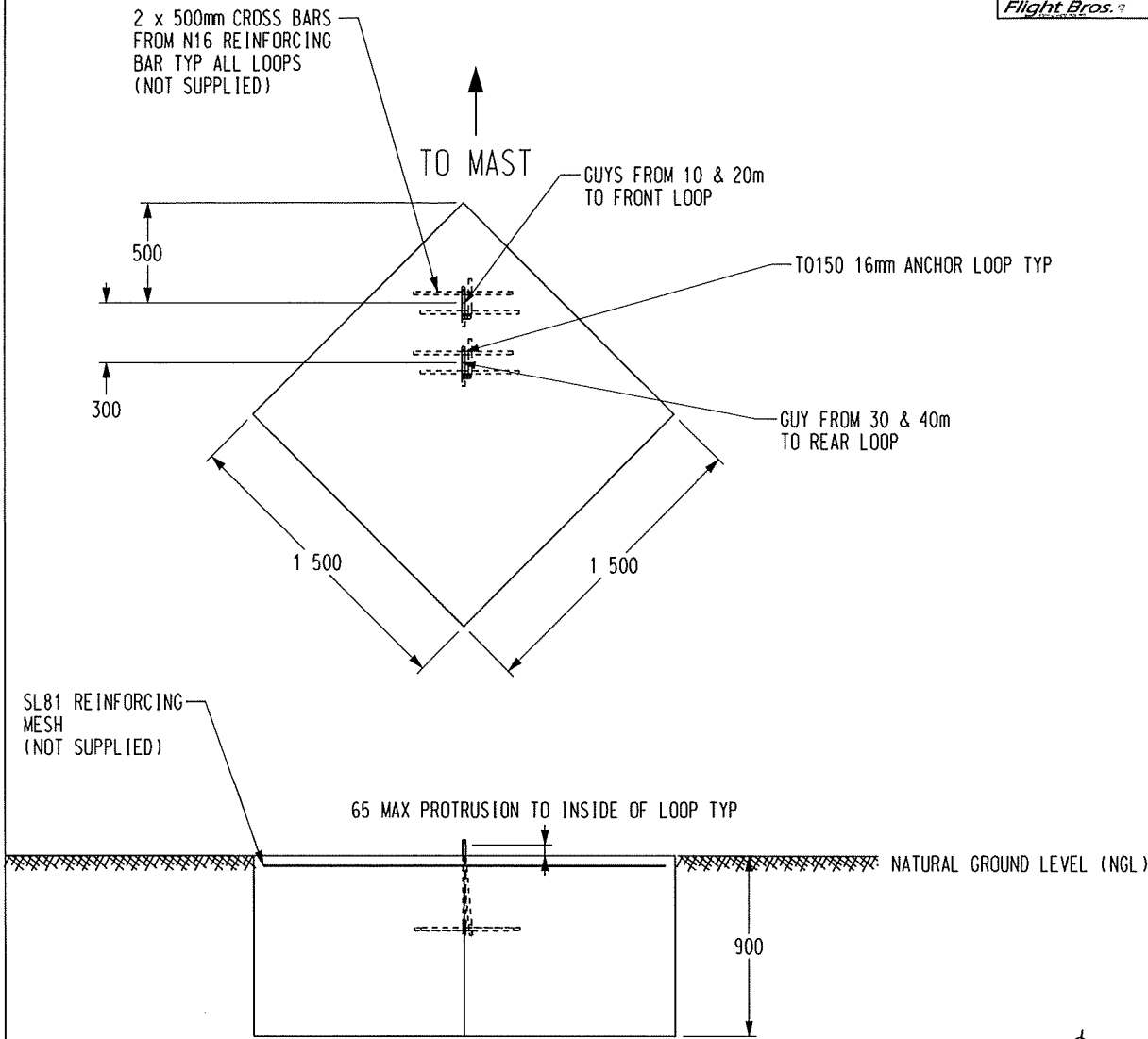


Whilst all care has been taken in the preparation of this data, this information is provided as a guide only and no responsibility shall be taken for any omissions or errors in this document. The accuracy provided is not to be used for legal purposes, but reference is made to the original survey/certificates of title documents and legal versions of the Town Planning Schemes.

Date: 27/07/2021

Scale: 1:102167

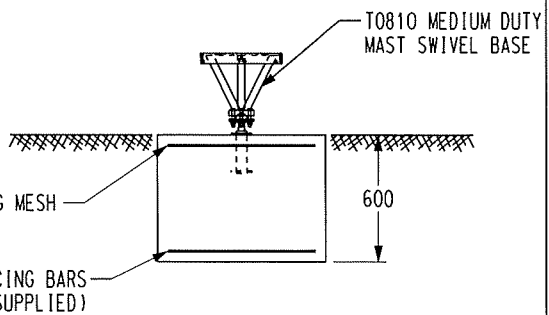
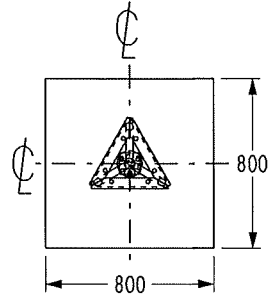




GUY ANCHOR BLOCK

NOTES:

1. THIS DRAWING MUST BE USED IN CONJUNCTION WITH THE MAST/TOWER LOADING VERIFICATION AND SUMMARY NUMBER XXXXXXX.
2. MAST BASE FOUNDED AT LEAST 600mm INTO SOIL THAT MEETS OR EXCEEDS DESIGN PARAMETERS
3. ANCHOR BLOCKS FOUNDED AT LEAST 900mm INTO SOIL THAT MEETS OR EXCEEDS DESIGN PARAMETERS.
4. SOIL DESIGN PARAMETERS:
 ALLOWABLE BEARING PRESSURE 300 kPa
 BULK UNIT WEIGHT 20 kN/m³
 ANGLE OF INTERNAL FRICTION 33°
5. SOIL DESIGN PARAMETERS MUST BE CONFIRMED BY A GEOTECHNICAL ENGINEER PRIOR TO COMMENCEMENT OF ANY FOOTING RELATED WORK.
6. ALL CONCRETE TO BE 25MPa MINIMUM.
7. ENSURE POSITIVE DRAINAGE AWAY FROM ALL STEELWORK AND OF THE SURFACE WATER AWAY FROM FOOTINGS.
8. MINIMUM CONCRETE COVERAGE TO ANY REINFORCEMENT 50mm.



MAST BASE BLOCK

REV	DATE	ECR	REVISION DETAILS	DRAWN	CHECKED M/C	DWG	APPR	Flight Bros. PTY LTD MANUFACTURERS SINCE 1915	DO NOT SCALE DIMENSIONS IN MILLIMETRES UNLESS OTHERWISE STATED	MATERIAL
0	3.8.07		DRAWN	B.W.				3 Waverley Avenue PO BOX 352 EDWARDSTOWN South Australia 5049 www.flightbros.com.au These drawings are the property of Flight Bros Pty Ltd and are not to be reproduced in whole or in part without the permission of Flight Bros Pty Ltd. © Copyright 2007.	NO DECIMAL = ± 10mm ONE DECIMAL = ± TWO DECIMALS = ± HOLE DIAMETER = ± ANGLES = ±	FINISH
								Phone : (08) 8276 3644 Fax : (08) 8277 0164 International Code (+618) Email : tech@flightbros.com.au	NAME FOUNDATIONS 40m MAST FOR INFORMATION	PART NUMBER TBA

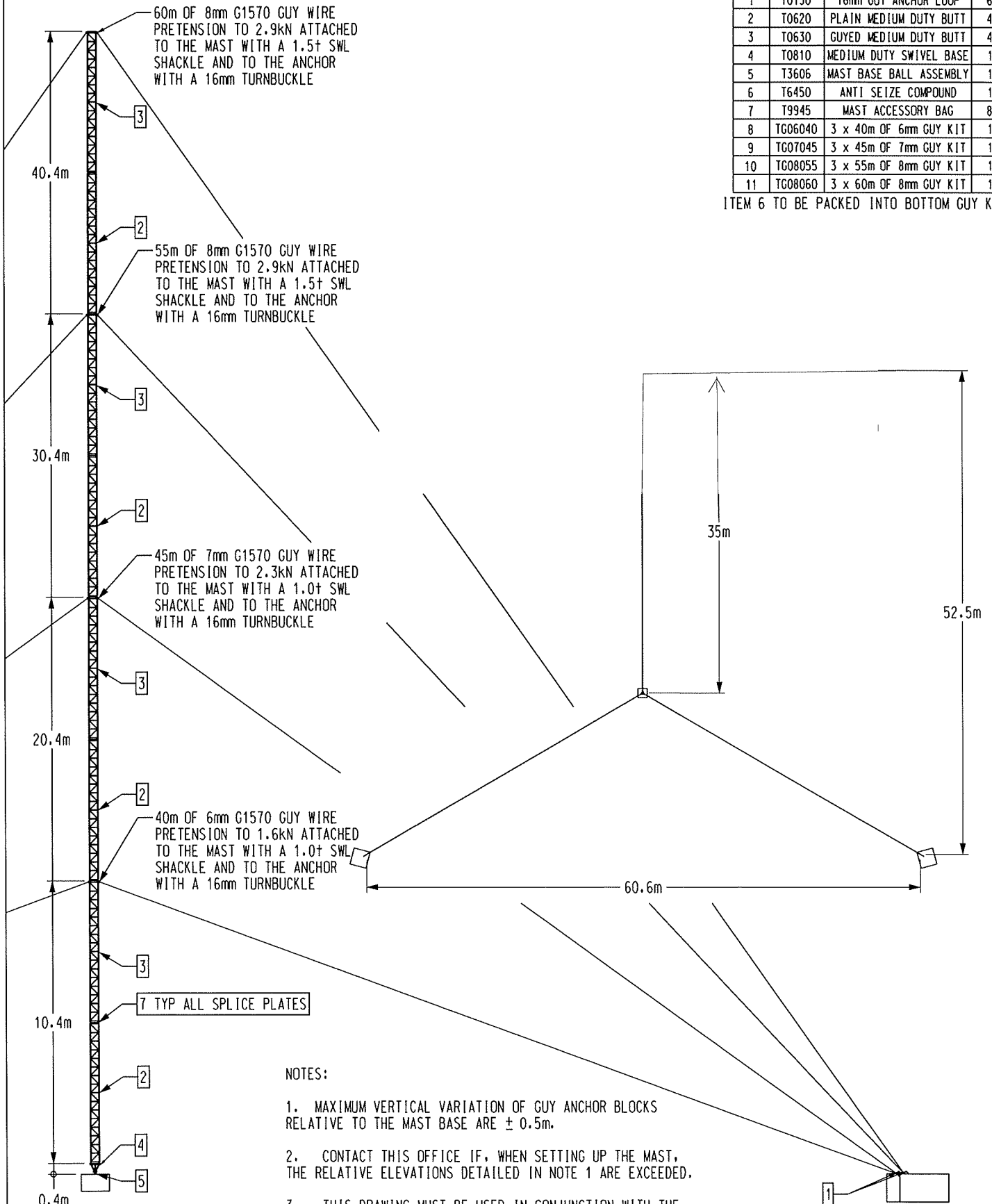
MAST DESIGN TO SUIT TERRAIN CATEGORY 1,
 BASIC ULTIMATE WINDSPEED (Vu) 50m/sec,
 TOPOGRAPHICAL MULTIPLIER (Mt) 1



TBA

REF	PART NO	DESCRIPTION	QTY
1	T0150	16mm GUY ANCHOR LOOP	6
2	T0620	PLAIN MEDIUM DUTY BUTT	4
3	T0630	GUYED MEDIUM DUTY BUTT	4
4	T0810	MEDIUM DUTY SWIVEL BASE	1
5	T3606	MAST BASE BALL ASSEMBLY	1
6	T6450	ANTI SEIZE COMPOUND	1
7	T9945	MAST ACCESSORY BAG	8
8	TG06040	3 x 40m OF 6mm GUY KIT	1
9	TG07045	3 x 45m OF 7mm GUY KIT	1
10	TG08055	3 x 55m OF 8mm GUY KIT	1
11	TG08060	3 x 60m OF 8mm GUY KIT	1

ITEM 6 TO BE PACKED INTO BOTTOM GUY KIT



NOTES:

1. MAXIMUM VERTICAL VARIATION OF GUY ANCHOR BLOCKS RELATIVE TO THE MAST BASE ARE $\pm 0.5m$.
2. CONTACT THIS OFFICE IF, WHEN SETTING UP THE MAST, THE RELATIVE ELEVATIONS DETAILED IN NOTE 1 ARE EXCEEDED.
3. THIS DRAWING MUST BE USED IN CONJUNCTION WITH THE MAST/TOWER LOADING VERIFICATION AND SUMMARY NUMBER XXXXXXX.

REV	DATE	ECR	REVISION DETAILS	DRAWN	CHECKED MC DWG	APPR
0	3.8.07		DRAWN	B.W.		

Flight Bros. PTY. LTD.
 MANUFACTURERS SINCE 1915

3 Waverley Avenue
 PO BOX 352
 EDWARDSTOWN
 South Australia 5049

Phone : (08) 8276 3644
 Fax : (08) 8277 0164
 International Code (+618)
 Email : tech@flightbros.com.au

www.flightbros.com.au

These drawings are the property of Flight Bros Pty Ltd and are not to be reproduced in whole or in part without the permission of Flight Bros Pty Ltd © Copyright 2007.

DO NOT SCALE
 DIMENSIONS IN MILLIMETRES
 UNLESS OTHERWISE STATED

NO DECIMAL =+ 10mm
 ONE DECIMAL =+
 TWO DECIMALS =+
 HOLE DIAMETER =+
 ANGLES =+

NAME
 40m MEDIUM MAST
 FOR INFORMATION

MATERIAL
FINISH AS4680 HOT DIP GALVANISE
PART NUMBER TBA